



PLEASE READ AND KEEP THIS IMPORTANT WARRANTY INFORMATION

Please Note: The warranty form must be completed in full. All details are required and the form retained together with the purchase receipt. Distributor and installer details are essential for on-site warranty claims and must be presented to repair personnel.

WARNING – SEE FOLLOWING LIMITATIONS FOR CLAIMING ON-SITE WARRANTY

1. Fans and fixed wiring products must only be installed by persons who are appropriately licensed by the applicable State regulatory body. Therefore, to protect our repair personnel, on-site warranty claims will not be accepted if products have been installed by unlicensed persons.
2. Product not installed by appropriate personnel or not in accordance with instructions must be removed and returned to Hunter Pacific International's service department at the owner's expense. The product will then be repaired or replaced at the discretion of Hunter Pacific International and returned with shipping paid by Hunter Pacific International. The owner is responsible for reinstallation charges.
3. Damage caused by incorrect installation, force-majeure, electrical surges, lightning, power grid fluctuations, water or by connection to alternative power supply sources (such as solar inverters, etc.) is not eligible for warranty repair.
4. Blades must be replaced only as a complete set. Blades are supplied only as a pre-balanced set and the replacement of individual blades may void the warranty by causing mechanical damage to the motor, excessive noise or premature wear.
5. When products are installed in a location requiring special access equipment (such as scaffolding or scissor lifts, etc) the cost of providing, installing and operating special access equipment must be borne by the site owner. The need for, or use of, such equipment must be stated when booking a service call. Charges will be levied for Hunter Pacific International to arrange special access equipment and these must be paid in advance.

For safety, and to protect your warranty, the following must be taken into account when installing and operating the product(s):

- (a) **DO NOT USE SOLID-STATE WALL CONTROLLERS.** Neither leading nor lagging edge controllers will give satisfactory performance. Wall controls must only be types approved for use by Hunter Pacific International.
- (b) The fan, light and bracket must be earthed.
- (c) Fan and light must be run from the same phase and preferably the same final circuit.
- (d) Mounting bracket must be firmly screwed to a solid structure such as a concrete ceiling, steel structure or timber framing. If additional bracing is added it must be firmly secured to the rafters and not left floating on the ceiling. Special mounts, such as T-hooks, are available for certain types of installation.
- (e) After installation, fan blades must be at least 2.1 m (7 feet) above floor level.
- (f) Supervise the use of these products by children and the infirm.

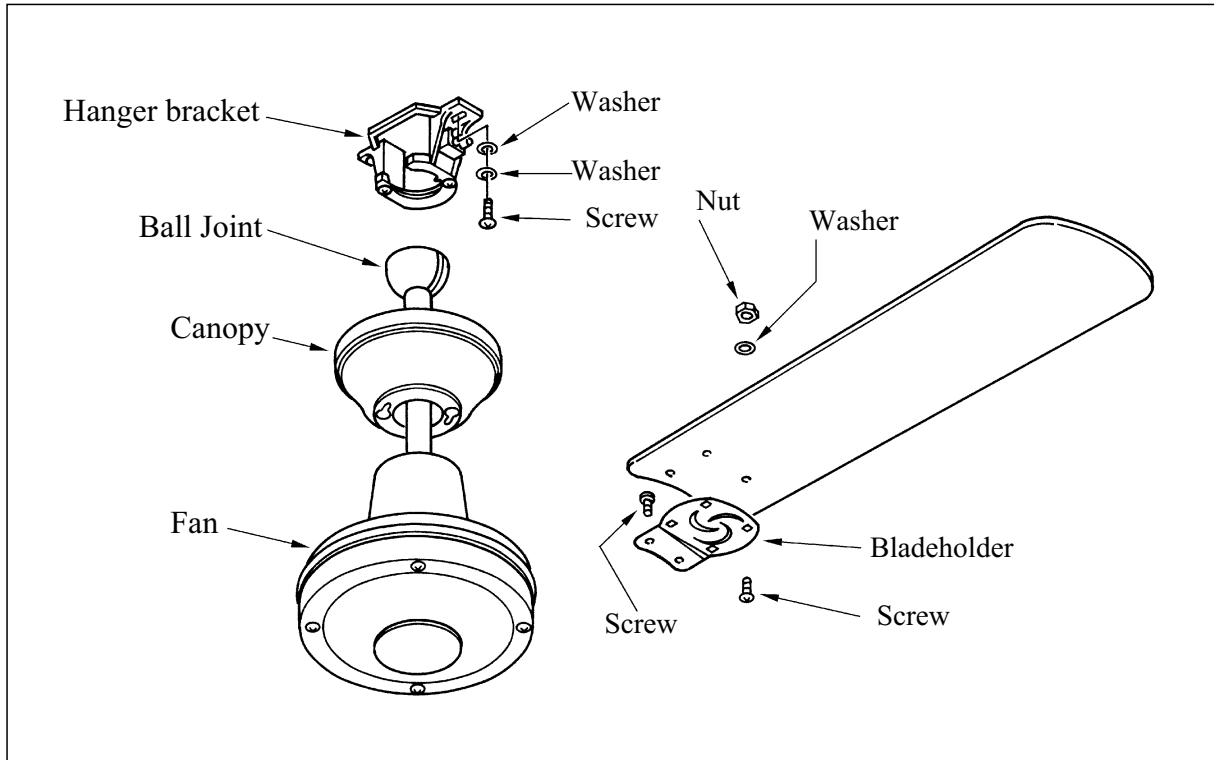
IF THERE ARE ANY PROBLEMS WITH THE PRODUCT AT TIME OF INSTALLATION THE INSTALLER MUST CONTACT THE WARRANTY HOT LINE NUMBER BEFORE LEAVING THE JOB SITE. PLEASE DO NOT REMOVE THE FAN FROM THE CEILING ONCE INSTALLED UNLESS INSTRUCTED TO DO SO.

IMPORTANT - PLEASE DO NOT PHONE THE RETAILER FOR WARRANTY CLAIMS. INSTEAD PHONE 1300 360 280 FOR ALL WARRANTY ENQUIRIES



Typhoon Timber 42" 122cm Installation and Operating Instructions

Parts List



Warning: Do not attempt to control the operation of the fan (or optional light kit) from any wall control that is not approved by Hunter Pacific International for use with the fans. Do not use solid state wall controllers. The use of an unapproved wall control voids the warranty.

Warning: Do not mix blade sets from one fan to another. If only one blade is damaged you are still required to replace with a complete new set



Typhoon Timber 42" 122cm Installation and Operating Instructions

Installation Instructions

Assembly Instructions

Secure the hanger bracket to the ceiling joist or suitable piece of timber inserted between the ceiling joist; the bracket should be attached with (2) long screws supplied

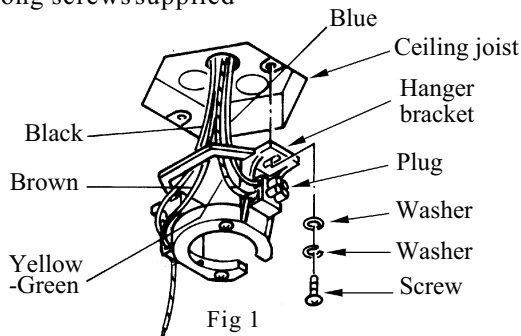


Fig 1

Place the fan unit into the hanger bracket, lining up ball joint slot with hanger bracket as shown

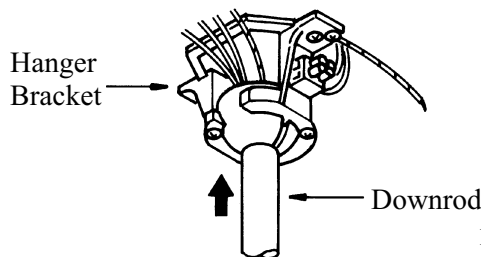
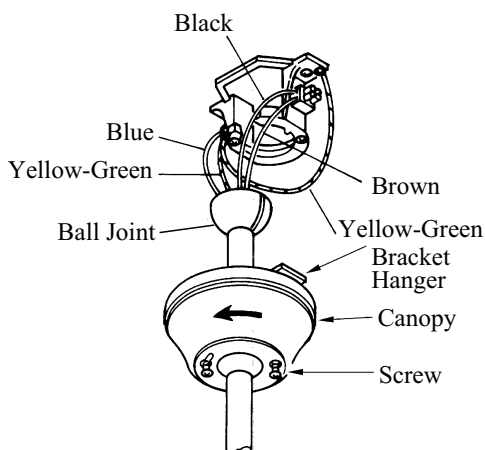


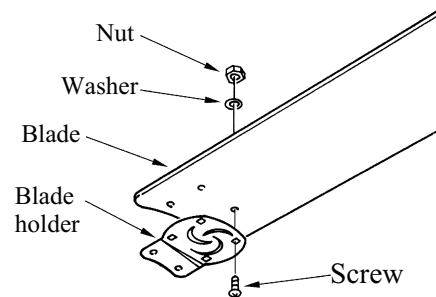
Fig 2

After wiring attach the canopy to the hanger bracket by pushing up and twisting to locate screws in Key holes then tighten screws

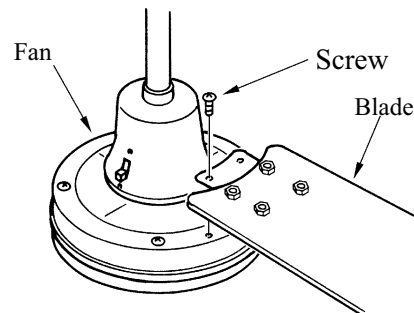


Installing Blades

Attach the blade to the blade holder using (4) screws and washers. (fig 4)



Secure the blade assembly to the top of the motor with two (2) blade screws and washers provided. Tighten them securely. Repeat this procedure for all blades (fig 5)



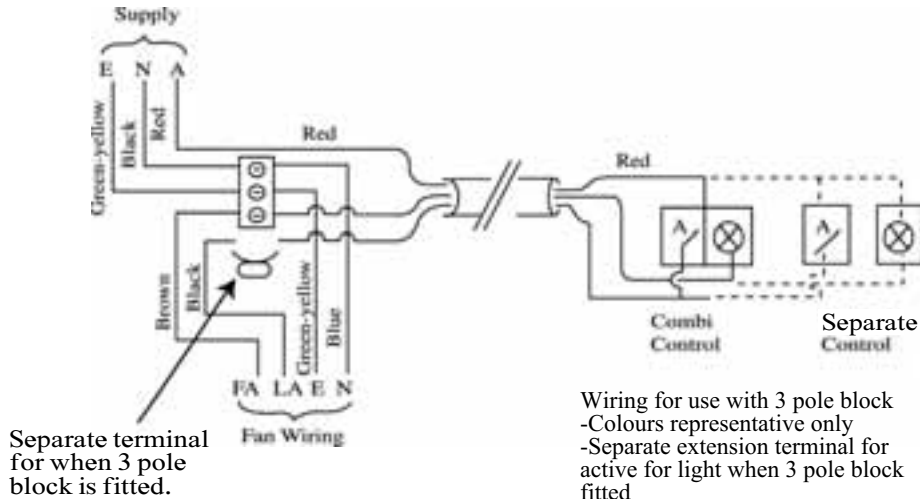
Warning: Do not attempt to control the operation of the fan (or optional light kit) from any wall control that is not approved by Hunter Pacific International for use with the fans. Do not use solid state wall controllers. The use of an unapproved wall control voids the warranty.

Warning: Do not mix blade sets from one fan to another. If only one blade is damaged you are still required to replace with a complete new set.



Typhoon Timber 42" 122cm Installation and Operating Instructions

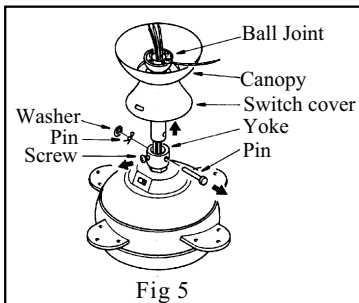
Wiring Instructions(with and without accessory light)



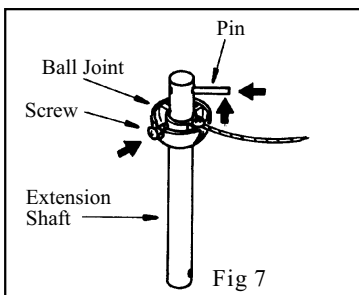
Extension Rod

91cm/1.8m (if required) Hunter Pacific International Extension Rods only to be used)

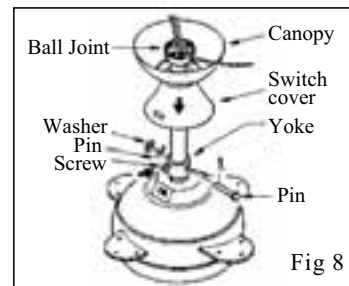
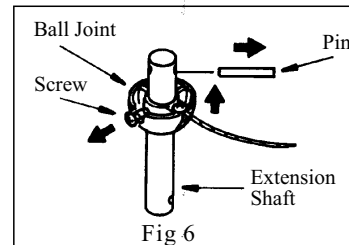
To remove standard downrod from fan tighten earth screw and remove down rod yolk pin (fig 5).



Back off ball joint earth screw and remove the ball joint pin, ball joint and cover (fig 6)



If extension rod is to be shortened, cut to required length and drill appropriate hole size to fit ball joint pin. The cut end of the extension should be deburred. The cut end should be used on the ball joint end only. Install extension rod by reversing the removal process (fig 7/fig 8)



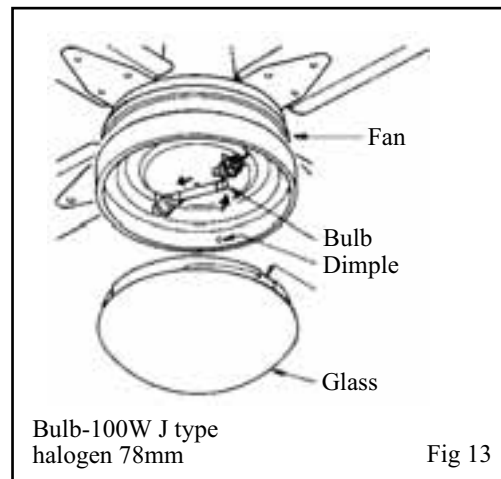
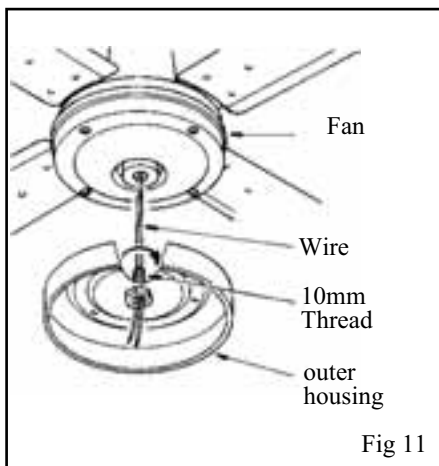
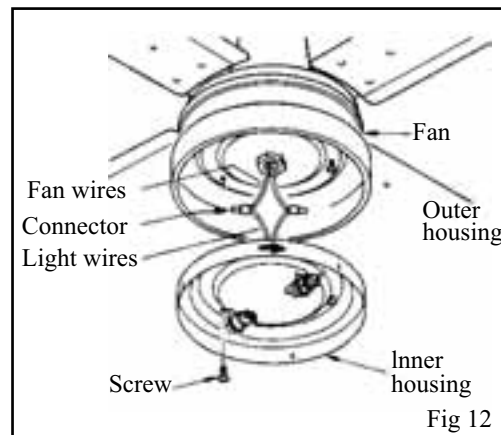
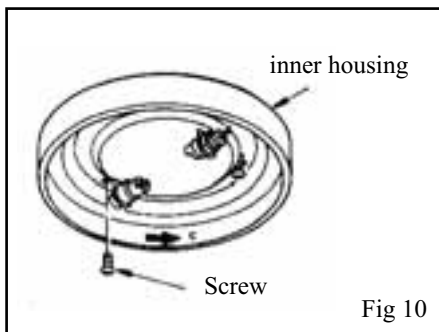
Please note when installing a 1.8m extension rod the wiring will need to be extended and joined. This should be done using crimp style connectors.

Warning: Do not attempt to control the operation of the fan (or optional light kit) from any wall control that is not approved by Hunter Pacific International for use with the fans. Do not use solid state wall controllers. The use of an unapproved wall control voids the warranty.

Warning: Do not mix blade sets from one fan to another. If only one blade is damaged you are still required to replace with a complete new set.

Installation of accessory Light Kit

Unscrew the plug on the bottom of the motor housing. Light wires are inside motor shaft and should be retrieved by using a pair of long nosed pliers (fig 9). The light fitting must have a 10mm thread. The light fitting is simply screwed (fig 10) into the bottom housing of the motor shaft. Connection of wires must be made inside accessory light fitting insuring wiring and connections is insulated where applicable.



Warning: Do not attempt to control the operation of the fan (or optional light kit) from any wall control that is not approved by Hunter Pacific International for use with the fans. Do not use solid state wall controllers. The use of an unapproved wall control voids the warranty.

Warning : Do not mix blade sets from one fan to another. If only one blade is damaged you are still required to replace with a complete new set



Typhoon Timber 42" 122cm Installation and Operating Instructions

To Licensed Installers and Fan owners Please Read Before Calling for Warranty

FAN WILL NOT START

- check main circuit breakers
- check wire connections to the fan
- check speed controller position
- push reversing switch fully up or down

FAN SOUNDS NOISY

- Check suggested bulb(s) in light kit
- Re-tighten all screws on fan blades but never over tighten
- Retighten all screws in the hanging bracket or plate
- Change the controller to the one supplied.

MECHANICAL NOISE

- allow for at least 8 hours settling in time

FAN MOVES BUT DOES NOT MOVE MUCH AIR

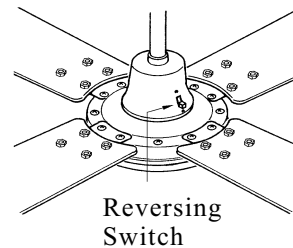
- the fan may be running in reverse
- the distance between the ceiling and the fan blades maybe too small
- The room may contain item which obstruct the air flow.
- The fan may be too small for the size of the room.

POINTS AT A GLANCE

- All electronic motors, including fan motors make some noise and may feel hot to touch this is NOT a fault.
- Ceiling fans tend to move during operation due to the fact that they are not generally rigidly mounted - if they were they could generate excessive ceiling vibration and stress on the mountings. Movement of a couple of centimetres is quite ok and does not suggest that the fan will fall down. Ceiling fans are mounted securely on steel brackets with rubber cushioning or with ball joints to allow free movement. Please Note - all ceiling fans are not the same even in the same model - some may move more than others .
- Fan lights can rattle, if they are not supplied with the fan in the box they are not covered by warranty.

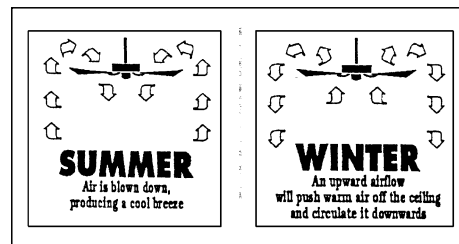
REVERSING SWITCH

Switch should be in the down position for summer (anticlockwise) and in the up position for winter (clockwise)(fig 11)



FAN OPERATION

A ceiling fan is an environmentally smart choice to cool as well as help warm your room. You should see a reduction in both cooling and heating costs by regular use of your fans. Do not hesitate to use your fans in both the summer and winter months. In summer place the reverse switch in the down position (fan should spin in an anti clockwise direction) so cool air is blowing down producing a cool breeze. In winter, reverse the switch (fan should spin in a clock wise direction) so that an upward airflow will push warm air off the ceiling and circulate it downwards into the living areas. In the winter months use the fan at a lower speed than in summer.



NORMAL WEAR AND TEAR

Threaded components working slightly loose or blade carriers even slightly bent during to vigorous cleaning or bumping can cause extra wobble and noise. This is not covered under warranty but a little care and maintenance can reduce or prevent this problem.

Warning: Do not attempt to control the operation of the fan (or optional light kit) from any wall control that is not approved by Hunter Pacific International for use with the fans. Do not use solid state wall controllers. The use of an unapproved wall control voids the warranty.

Warning: Do not mix blade sets from one fan to another. If only one blade is damaged you are still required to replace with a complete new set.



Typhoon Timber 42" 122cm Installation and Operating Instructions

Ceiling Fan Warranty

In the event that your Hunter Pacific ceiling fan has manufacturing defects or fails to perform its intended function in the warranty period, the Trade Practices Act of 1974 and similar laws in your state give you the right under certain circumstances to have it made good. In addition, we repair or replace defective Hunter Pacific ceiling fans on the following terms and conditions.

Ceiling Fan Warranty Period

The appliance is covered by a 2 year inhouse warranty and a 5 year replacement on the motor only.

Warranty on Replacement Fans

Ceiling fans replaced under warranty are warranted only for the balance of their warranty period.

Conditions and Exclusions

- Repair or replacement work will be carried out free of charge by Hunter Pacific International or its approved agent or on the basis shown above, subject to dated proof of purchase.

The following is NOT covered

- Travelling costs incurred by Hunter Pacific personnel or service agent beyond 25km from Hunter Pacific authorised service depots and/or the cost of transporting and insuring the ceiling fan between the nearest Hunter Pacific agents service depot and its normal location.
- The costs must be met by the purchaser.
The cost of the work or service call where there is nothing wrong with the ceiling fan or where the defective operation of the ceiling fan is due to failure of electricity, not in accordance with Hunter Pacific instructions and/or applicable local regulations and where defects caused by incorrect application or abuse of the ceiling fan, or damage caused by unauthorised persons attempting to repair the ceiling fan.
- Subject to any statutory provisions to the contrary claims for damage to furniture, carpet, wall ceilings, foundations or any other consequential loss either directly or indirectly resulting from a faulty ceiling fan.
- Repair a ceiling fan incorrectly used accidentally damaged or not serviced in accordance with the maintenance instructions.
- Ceiling fans not installed by a licensed electrician.
- The remote controls (Hunter Pacific International Pty Ltd model only) are an accessory product covered by a one year warranty.
- All signals sent through the power by the supplier for the off peak hot water and other signals including street light and such. These signals may cause an intermittent humming noise in the ceiling fan. Filters are available in Australia at customer cost. It is not the fault of the ceiling fan.
- Warranty does not transfer from original purchaser.
- The Hunter Pacific International fan is not purchased and installed in Australia
- Accessory light

Warranty Hotline number Australia only 9am to 5 pm EST 1300 360 280

Please Note When phoning for warranty you will require the date of purchase, retailer, model, colour and size of the fan (Electricians details may also be required).

Warning: Do not attempt to control the operation of the fan (or optional light kit) from any wall control that is not approved by Hunter Pacific International for use with the fans. Do not use solid state wall controllers. The use of an unapproved wall control voids the warranty.

Warning: Do not mix blade sets from one fan to another. If only one blade is damaged you are still required to replace with a complete new set



Typhoon Timber 42" 122cm
Installation and
Operating Instructions

Ceiling Fan Warranty Details
Please File with you Purchase receipt

Customer Details

Name _____

Address _____

Post Code _____

Phone Number _____

Fan Details

Model _____

Colour _____

Size _____

Date of Purchase _____

Purchased From _____

Electricians Details

Name of Electrician _____

License Number _____

Phone Number _____

Warning: Do not attempt to control the operation of the fan (or optional light kit) from any wall control that is not approved by Hunter Pacific International for use with the fans. Do not use solid state wall controllers. The use of an unapproved wall control voids the warranty.

Warning: Do not mix blade sets from one fan to another. If only one blade is damaged you are still required to replace with a complete new set.