



HUNTER PACIFIC INTERNATIONAL *Ceiling Fans*

buy the original and buy the best

www.hunterpacific.com.au



132cm (52")

FAN COLOURS

Stainless Steel + Clear Blades

Stainless Steel + Silver Blades



316
MARINE
GRADE
STAINLESS
STEEL

316

MOULDED

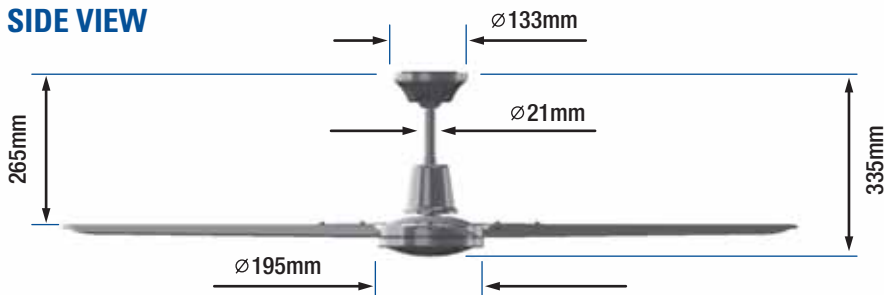
Typhoon

[DESIGNED SPECIALLY FOR COASTAL & TROPICAL USE]

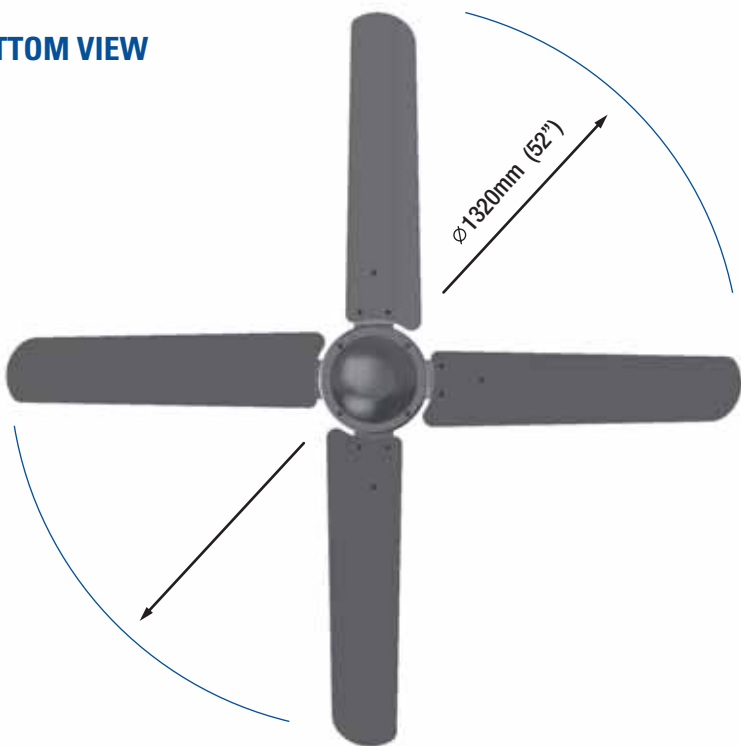
See over for a comprehensive list of features and accessory light fittings.

SPECIFICATIONS SUBJECT TO CHANGE - REFER TO www.hunterpacific.com.au FOR FULL PRODUCT SPECIFICATIONS

SIDE VIEW



BOTTOM VIEW



ACCESSORY LIGHTS

Available in 2 types of circular 'Lens' style stainless steel light fittings with a choice of:

- Halogen 78mm Linear Lamp
- 2 x E27 Lamp Holders
- 1 x 14w GX53M Fluorescent (liquid mercury free)
- 32w Fluorescent available soon

Also available in 4 types of triple 'Spotlight' style non-stainless fittings with a choice of:

- 3 x 40w G9 Halogen Lamp
- 3 x 50w GU10 Halogen Lamp
- 3 x E14 40w Lamp Holders

SEE WEBSITE FOR A FULL LISTING OF AVAILABLE ACCESSORIES:

www.hunterpacific.com.au

Product Features:

- Original Australian Design
- Pre-Assembled Motor and Down Rod
- Easy to Clean Stainless steel
- Accessory Remote Control
- Suitable for use with Home Automation Systems*
- Light adaptable (accessory lights available)
- Moulded Plastic Blades - Safer & Quieter
- 2 Year 'In-Home' Warranty
- Additional 3 Year Parts Warranty on Motor
- 23° Degree Pitch on the Blades - Superior Air Flow
- Reversible Air Flow for Summer/Winter Operation
- 3 Speed Switch Designed to fit most Australian Wall Plates
- Suitable for Raked Ceilings up to 32°

* ONLY SUITABLE IF USED WITH SPECIFIED CONTROL RELAY UNITS

DISTRIBUTED BY: